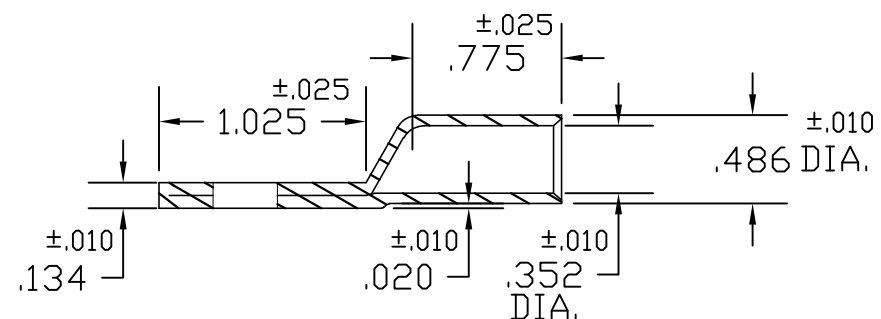
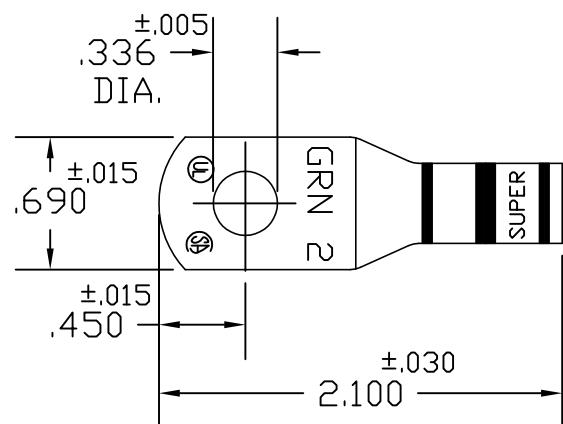


THIS DRAWING IS UNPUBLISHED.

RELEASED FOR PUBLICATION

© COPYRIGHT BY TYCO ELECTRONICS CORPORATION. ALL RIGHTS RESERVED.

LOC	DIST	REVISIONS					
G	50	P	LTR	DESCRIPTION	DATE	DWN	APVD
		B		REV PER ECR 07-013709	15JUN07	JR	DD



& COLOR CODED GREEN

ACTIVE	2569CC	STANDARD	COLOR CODED	1526016-3
STATUS	AET P/N	PACKAGING	FINISH	PART NUMBER

THIS DRAWING IS A CONTROLLED DOCUMENT.		DWN D.A.A 1/23/01	Tyco Electronics Corporation Harrisburg, PA 17105-3608		
DIMENSIONS: INCHES	TOLERANCES UNLESS OTHERWISE SPECIFIED:	CHK H.D.F 1/23/01	NAME #2 SUPER LUG		
	0 PLC ± - 1 PLC ± - 2 PLC ± - 3 PLC ± - 4 PLC ± - ANGLES ± -	APVD H.D.F 1/23/01	PRODUCT SPEC -		
MATERIAL COPPER ASTM B-75	FINISH -	APPLICATION SPEC -	SIZE A3	CAGE CODE 00779	DRAWING NO G-1526016
CUSTOMER DRAWING			WEIGHT -	RESTRICTED TO -	SCALE 1:1
			SHEET 1 OF 1		REV B